



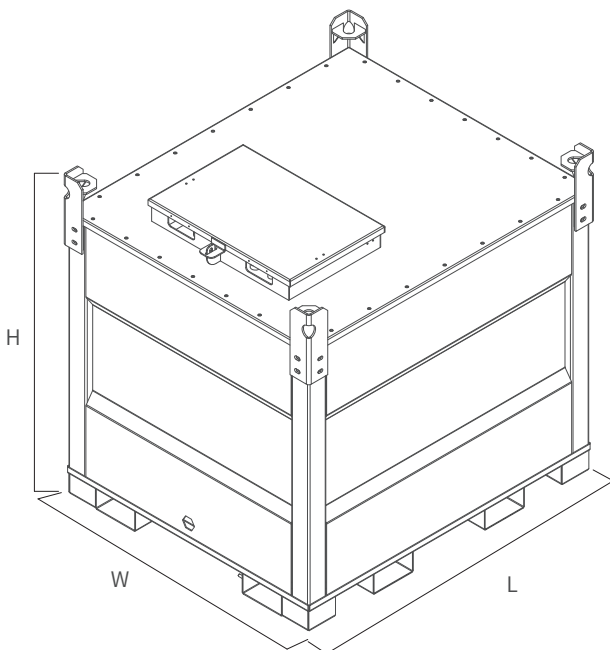
## ADVANTAGES



Double wall fuel tanks offer several features that enhance their safety, durability, and reliability compared to single wall tanks. Here are the key features:

1. Dual Layer Construction
2. Leak Detection Systems
3. Enhanced Safety
4. Compliance with Regulations
5. Corrosion Resistance
6. Variety of Sizes and Configurations
7. Customization Options
8. Ease of Installation
9. Longevity and Durability
10. Environmental Protection



## Dimension and Weight



MODEL	GROSS VOLUME	SAFE FILL LEVEL	 L*W*H	 Kg
KPFT-500D	500 L	450 L	990*1110*1050 (mm)	350 kg
KPFT-800D	800 L	750 L	1270*1110*1050 (mm)	400 kg
KPFT-1000D	1000 L	900 L	1270*1110*1250 (mm)	500 kg
KPFT-1500D	1500 L	1400 L	1850*1110*1250 (mm)	650 kg
KPFT-2000D	2000 L	1800 L	1320*2250*1250 (mm)	850 kg
KPFT-2500D	2500 L	2300 L	1500*2250*1250 (mm)	990 kg
KPFT-3000D	3000 L	2800 L	1500*2250*1250 (mm)	1280 kg
KPFT-4000D	4000 L	3750 L	2250*1780*1500 (mm)	1580 kg
KPFT-5000D	5000 L	4700 L	2250*2180*1500 (mm)	2600 kg

KEYPOWER has the right to modify any feature without prior notice. Weights and dimensions based on standard products. Illustrations may include optional equipment. Technical data described in this catalogue correspond to the available information at the moment of printing. The illustrations and images are indicative and may not coincide in their entirety with the product. Industrial design under patent.

## MULTIPLE FEED & RETURN LINES



## OPTIONS

- Automatic fuel refilling system with electronic fuel sensor and the respective hoses and connector
- GPS system (need the power of 12V)
- Fuel leakage alarm (need the power of 12V)
- Pumps, connection and hoses are housed, and can be locked within the bund even in operation

## FUEL TANK FEATURES

- Compact design
- Level gauge
- Oil pumps
- Spare fitting ports
- Vent pipe
- Top fill system
- Multi-compartment tanks available
- Lines & provisions for genset refueling
- Lockable cabinet on the top fascia
- Suitable for diesel or coolant
- Tank Leak visual window
- Corner posts for protection
- Crane lifting points for simplifying crane handling
- Forklifts are double-designed to provide access from all sides
- Stackable for transportation
- Reduces your fuel theft risk
- Powder coat finishes (Available in an assortment of colors)



Double wall fuel tanks are used for storage and containment of various types of fuels, such as gasoline, diesel, biodiesel, and other hazardous liquids. Their applications span across several industries: Industrial use/ Fuel stations/Backup power generation/Transportation and logistics.

